

S6417B

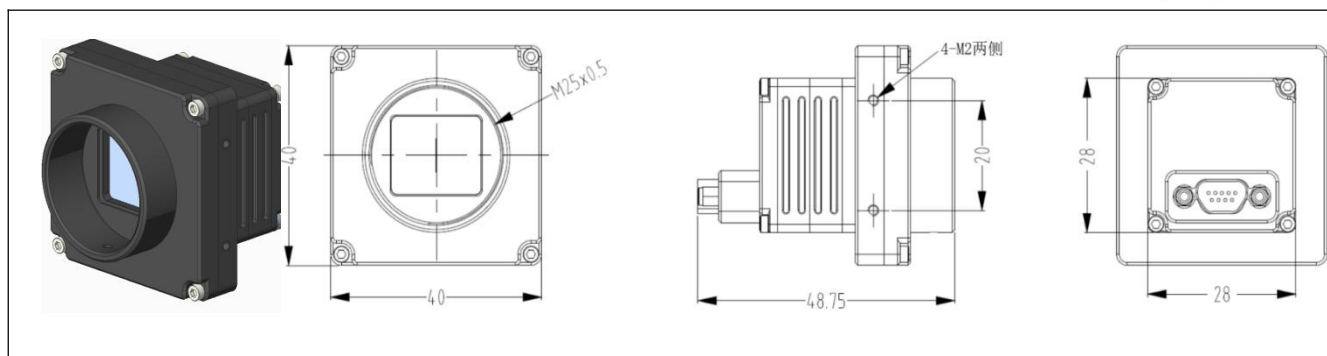
Uncooled Thermal Module

Technical Data



Suzhou Grand Sensor Inc.

Performance						
Detector Type	Uncooled microthermal VOx FPA					
N.E.T.D	<40mK (@f/1.0,50Hz,300K)					
Resolution	640 x 512					
Pixel size	17μm					
Wave range	8-14μm					
Environment						
Operating Temperature	-40°C to +55°C					
Storage Temperature	-40°C to +70°C					
Humidity	95% Relative humidity, Non-condensing					
Protection Rate	IP45/IP67 (Customize)					
Physical						
Weight	≤75g, Without Lens					
Size	≤49mm(L)x28mm(W)x28mm(H), Without Lens					
Interface & Electronics						
Interface	J30J-9					
Power Supply	DC 3-10V					
Video Output	Combined: PAL@50Hz(NTSC@60Hz optional)					
Digital Output	CameraLink Customize					
Control	RS232(default), RS485, RS422(Customize)					
Power Consumption	≤2.5W(Static)					
Start Up Time	≤20s					
Boot mode	Power on					
Optional Accessories						
Lenses	13mm: 49.6° x 36.6° 19mm: 32° x 25.8° 35mm: 17.7° x 13.3° Customize					
DRI [Human: 1.7m x 0.6m]				DRI [Car: 2.3m x 1.5m]		
Lens	Detect	Recognize	Verify	Detect	Recognize	Verify
13mm	382	96	48	1173	293	147
19mm	559	140	70	1714	428	214
35mm	1029	257	129	3157	789	395
100mm	2941	735	368	9020	2255	1127
Dimension						

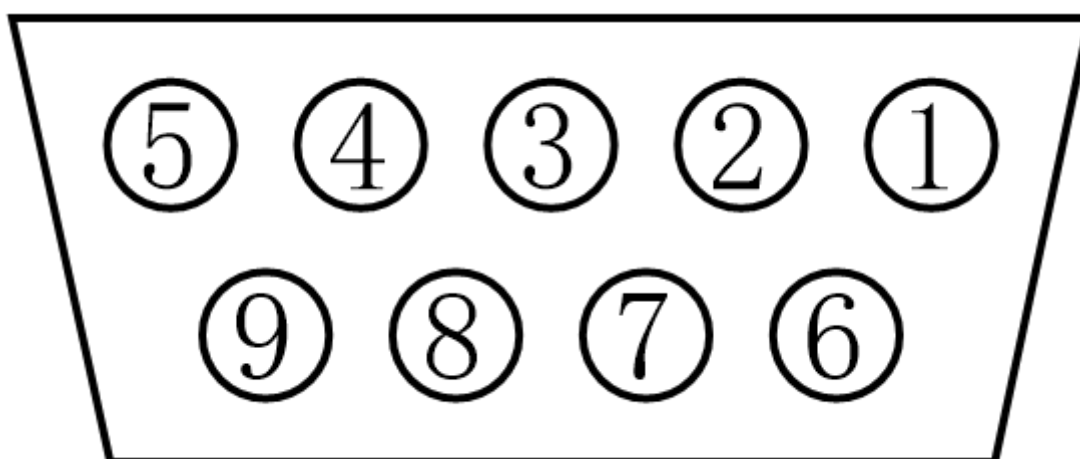


Interface definition

- 1 The interface adopts 9 Pin connector J30J-9. Includes power, video, communication and other functions.

Pin	Definition	Description
1	POW+	power supply, 3-10V DC
2	VIDEO	Analog video output, PAL
3	GND	Serial port ground/ video ground
4	RS232_RXD	System -> Thermal Image
5	-	-
6	GND	Power ground
7	-	-
8	RS232_TXD	Thermal image -> system
9	-	-

The sequence of lead out is as follows:



- 2 Mini CameraLink at this version is not available.

October 10, 2018